

# SMA/MALE/REVERSE POLARITY- TNC/FEMALE/REV. POLARITY ADAPTER

SM5809

## SPECIFICATIONS

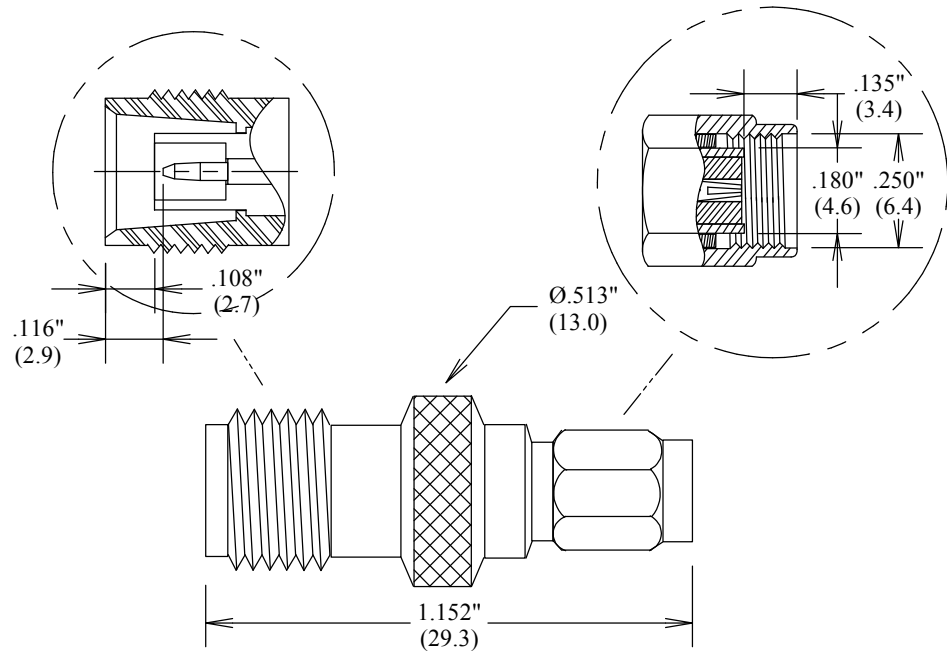
### ELECTRICAL

FREQUENCY: 0-11 GHZ  
 IMPEDANCE: 50 OHMS  
 VSWR: 1.25:1 MAX

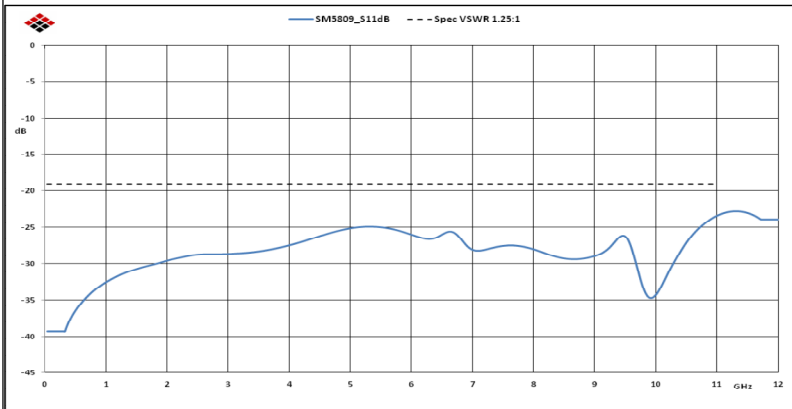
### MECHANICAL

MATERIALS BODY NICKEL PLATED BRASS  
 MATERIALS CONTACTS BeCu  
 CONTACT PLATING: Au PER MIL-G-45204  
 INSULATOR: PTFE  
 INTERFACE: MIL-STD-348B  
 TEMPERATURE: -45 TO +100°C

ROHS COMPLIANT



MEASUREMENTS BELOW ARE TYPICAL



ALL DIMENSIONS IN inches(MM) Typical

**FAIRVIEW MICROWAVE INC.**

ALLEN, TX 75013 WWW.FAIRVIEWMICROWAVE.COM

TITLE

SMA/MALE/REVERSE POLARITY-  
TNC/FEMALE/REV. POLARITY ADAPTER

SIZE

**A**

CAGE CODE

**3FKR5**

DWG NO

**SM5809**

REV

**A**

SCALE

SHEET